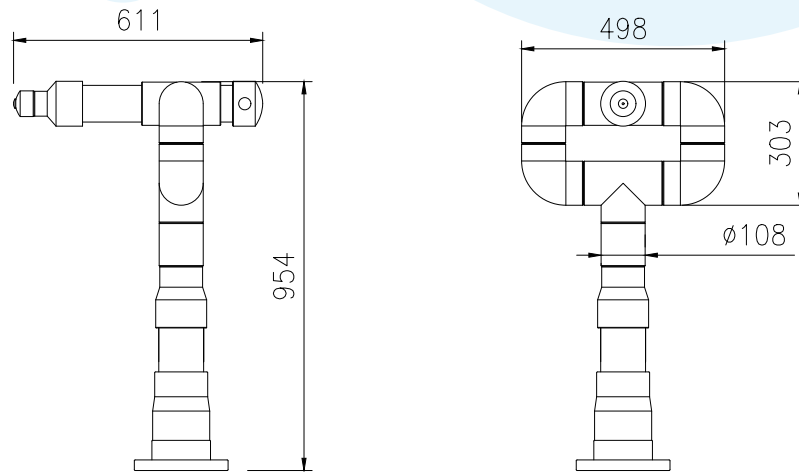


# WATER SHOOTER

2180



## DESCRIPTION:

Water shooters are the best choice when you want to make your water play area feel like a water battle arena. This product line is our water shooter series for those who want to engage in some high level water play and fun. Pol - Glass water shooters were designed to allow kids to have water battles in a fun, exciting and safe way.

## TECHNICAL DATA / mm:

Height:	954
Width:	498
Length:	611

POL-GLASS | [office@pol-glass.com](mailto:office@pol-glass.com) | tel.: +48 91 88 11 900 | [www.pol-glass.com](http://www.pol-glass.com)

Detailed information about the product can be found in the product data sheet. We reserve the right to change product specification. All products and its designs remain the property of Pol-Glass and may not be used or copied without written consent.

