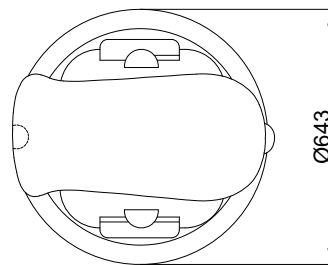
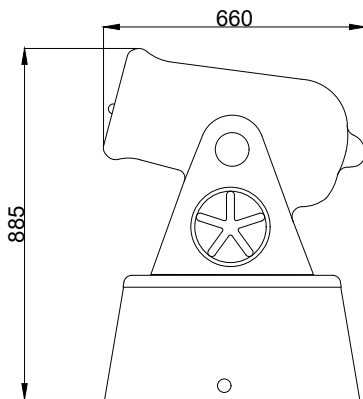


WATER CANNON

0130



DESCRIPTION:

The Water Cannon is an element of water artillery designed especially for children who like playing in the pool. The Water Cannon can be equipped with a pump that allows you to play with splashing water. Installing a hand pump (optional) turns the Water Cannon into an interactive game. This attraction can be installed anywhere in the recreation area intended for the youngest.

TECHNICAL DATA / mm:

Height: 885

Width: 643

Length: 660

POL-GLASS | office@pol-glass.com | tel.: +48 91 88 11 900 | www.pol-glass.com

Detailed information about the product can be found in the product data sheet. We reserve the right to change product specification. All products and its designs remain the property of Pol-Glass and may not be used or copied without written consent.

