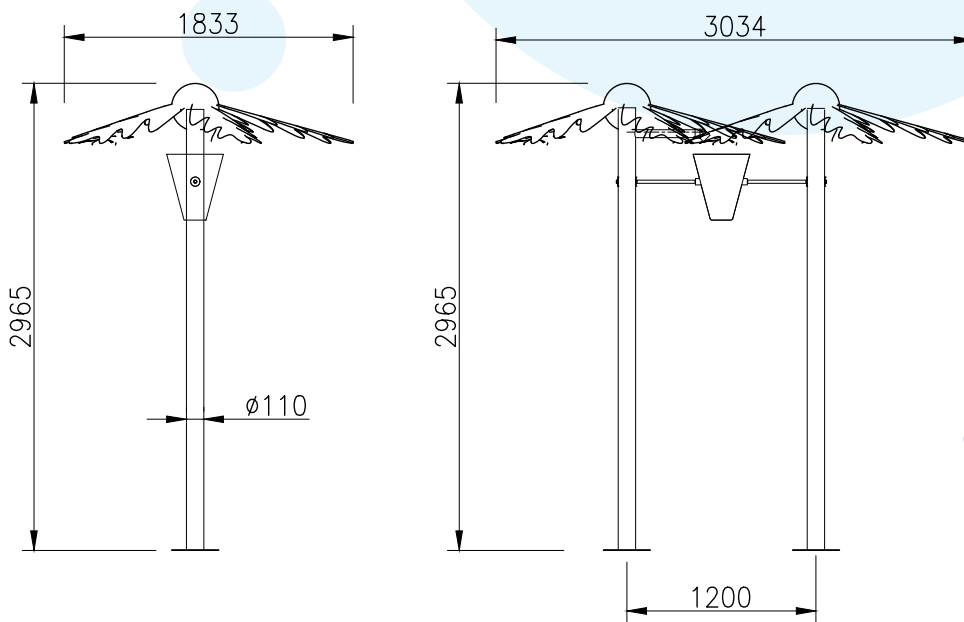


# BUCKET PALM TREE

2100



## DESCRIPTION:

Bucket Palm Tree is suitable for a spray park application with no standing water or in pools of varying depths. Children and adults both wait in anticipation as the buckets randomly fill and tip over with a big splash.

## TECHNICAL DATA / mm:

Height: 2965

Width: 1833

Length: 3034