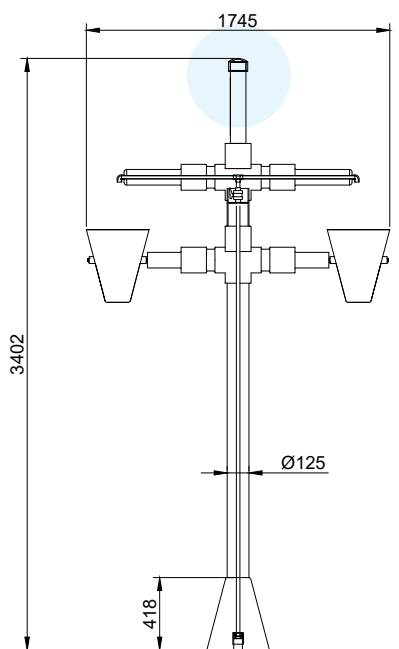
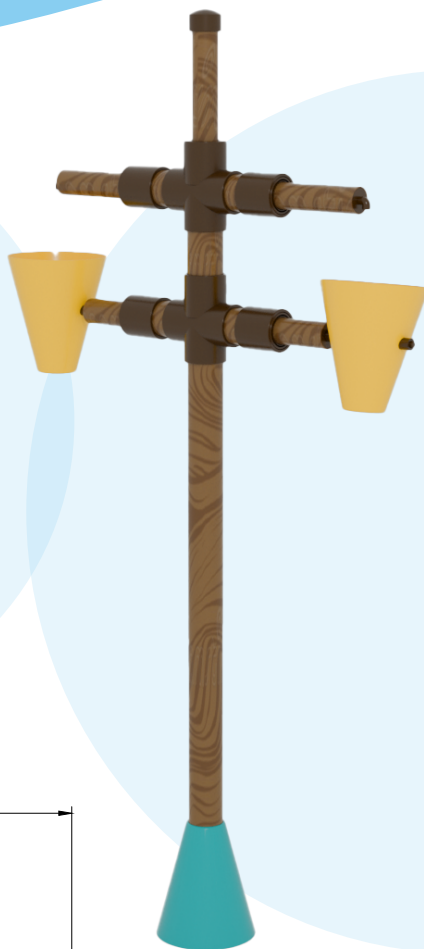


BUCKETS MAST

2160



DESCRIPTION:

One of the most popular water attractions in our offer. It fits perfectly into toddler pools, spray parks or water playgrounds with a pirate theme. Thanks to their unique design, the buckets tilt when filled with water and pour all the water over the playing kids.

TECHNICAL DATA / mm:

Height:	3402
Width:	360
Length:	1745

POL-GLASS | office@pol-glass.com | tel.: +48 91 88 11 900 | www.pol-glass.com

Detailed information about the product can be found in the product data sheet. We reserve the right to change product specification. All products and its designs remain the property of Pol-Glass and may not be used or copied without written consent.

